



























Motor

**SPECIFICATION**

PRODUCT

LINEAR VIBRATOR

MODEL

NFP-ELV1030AS

REVISION NO.

REV.00

**8. SPEC Drawing / 외관도면**

ZONE	LTR	REVISIONS	DRAWN	CHECKED	APPROVED

**※ NOTES**

- 모델명 : DMJBRN1030XX
- 모델 : DMJBRN1030XX
- 이 도면은 외관도면으로 평가되어 있으며, 기타 성능부분은 승인문을 참고할 것.
- THIS DRAWING EXPRESS APPEARANCE SIZE, PERFORMANCE OF VIBRATOR REFER TO SPECIFICATIONS OF APPROVAL.
- LOT NUMBER 관리
- MARKING CLASSIFICATION
  - 30XX : MODEL NAME
  - 1 : YEAR (2010 = 0, 2011 = 1, ..., 2020 = 0, ...)
  - A : MONTH (Jan. = 1, ..., Sep. = 9, Oct. = A, Nov. = B, Dec. = C)
  - 07 : A DAY (EX : 9TH = 09, 10TH = 10)
  - A : LINE / DAY OR NIGHT (A = #1/DAY, B = #1/NIGHT, ...)
  - G : MANUFACTURING SITE (EX : G, X, ...)

LINEAR VIBRATOR		PART LIST		REMARK	
DET	NAME	MATERIAL	QTY	FINAL SIZE	STOCK SIZE
1	LINEAR VIBRATOR		1	10PHI * 310T	

SIGNATURES		MO/DAY/YR
DRAWN	Y.JJEON	08/09/12
CHECKED		
ENGINEER	JHKIM	08/09/12
APPROVED	JKCHOI	08/09/12

**SAMSUNG ELECTRO-MECHANICS**

DMJBRN1030XX

**SPEC DRAWING-00**

DEPT	PDM NO.	PART NO.
SCALE	5 / 1	WT
		Kg
		SHEET
		1 OF 1

UNLESS OTHERWISE SPECIFIED		TOLERANCES (LENGTH)		UNIT : mm	
DEC.		20~100	100~300	300 ~	
~ 4	+0.3	4 ~ 20	+0.7	+1	
X	+0.1	+0.2	+0.25	+0.5	+0.7
XX	+0.05	+0.10	+0.15	+0.2	+0.2
XXX	+0.020	+0.020	+0.020	+0.020	+0.020
ALGLE	±1'	1 ~ 15			
CHAMFER		BREAK SHARP EDGE	0.3MAX		
CORNER RAD	0.3 ~ 0.8				


**SAMSUNG ELECTRO-MECHANICS Co.,Ltd.**  
 314, Maetan-3Dong, YungTong-Gu, Suwon, Kyunggi-Do, Korea  
<http://www.sem.samsung.co.kr>



NFP Motor

# SPECIFICATION

PRODUCT

LINEAR VIBRATOR

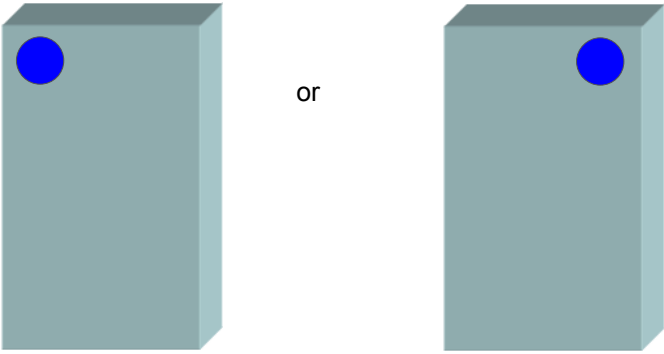
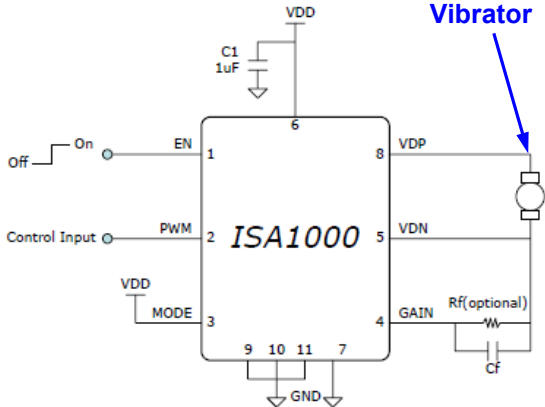
MODEL

NFP-ELV1030AS

REVISION NO.

REV.00

## 9. Application Recommendation / 적용 권장사항

NO	Contents / 내용
9-1	<p>&lt;Set Location / Set 장착위치&gt;</p> <ul style="list-style-type: none"> <li>- To maximize the vibration force and optimize other characteristics, vibrator location in set is recommended as corner of set.</li> <li>- 진동량을 크게하고 다른 특성들을 최적화하기 위하여, Vibrator의 위치는 Set의 모서리에 장착하는 것이 좋습니다.</li> </ul> <div style="text-align: center;">  </div>
9-2	<p>&lt;Drive Circuit / 구동회로&gt;</p> <ul style="list-style-type: none"> <li>- You can use ISA1000 made by IMAGIS Technology to drive vibrator.</li> <li>- Vibrator를 구동하기 위하여 IMAGIS Technology에서 제조한 ISA1000 driver를 사용할 수 있습니다.</li> </ul> <div style="text-align: center;">  </div>



SAMSUNG ELECTRO-MECHANICS Co.,Ltd.  
 314, Maetan-3Dong, YungTong-Gu, Suwon, Kyunggi-Do, Korea  
<http://www.sem.samsung.co.kr>



NFP  
Motor

**SPECIFICATION**

PRODUCT

LINEAR VIBRATOR

MODEL

NFP-ELV1030AS

REVISION NO.

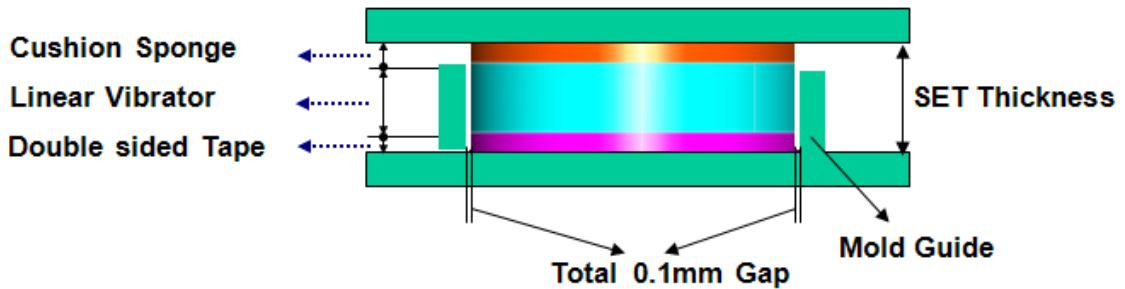
REV.00

**NO Contents / 내용**

<Mounting example / 마운팅 예>

- It recommends to that it attaches in double side tape & cushion sponge in the top and bottom of Linear vibrator. (Prevention of drop damage and Noise)
- The gap between vibrator and mold-guide is recommended 0.1mm.
- The part which UV bond attaches must be escaped so that it is not interfered.
- 진동모터 상하로는 양면테이프와 cushion sponge를 부착하는 것을 권고함.  
(진동량전달 최적화, 낙하시 충격에 의한 파손방지, 구동이음 최소화)
- 옆방향 가이드 기구물은 0.1mm gap이 권장되며, Lead wire가 부착되는 부분은 UV본드로 고정되므로, 간섭되지 않도록 도피되어야 한다.

9-3



◆ Mounting Example

Unit	Before	After	Remark	Picture
Cushion	0.35	0.25	20~40% 압착	
Vibrator	3.10	3.10		
Tape	0.15	0.15	SonyT4000	
Total	3.60	3.50		

UV bond part



SAMSUNG ELECTRO-MECHANICS Co.,Ltd.  
314, Maetan-3Dong, YungTong-Gu, Suwon, Kyunggi-Do, Korea  
<http://www.sem.samsung.co.kr>



NFP  
Motor

**SPECIFICATION**

PRODUCT

LINEAR VIBRATOR

MODEL

NFP-ELV1030AS

REVISION NO.

REV.00

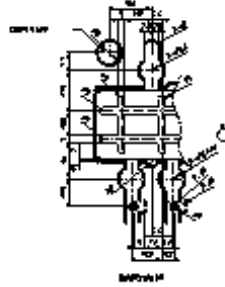
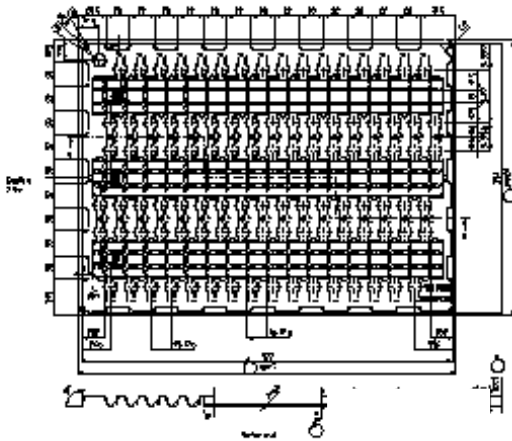
**10. Packaging / 포장사양**

(1) Quantity / 수량 : 100EA/Tray, 40(42)Tray/BOX, 4000EA/BOX

(2) Dimension, Weight, Material / 치수, 무게, 재질

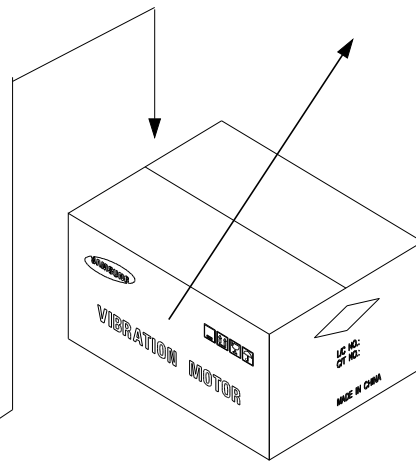
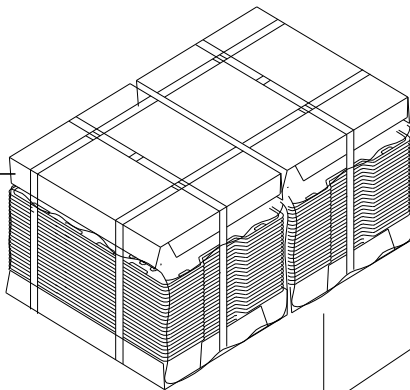
- Tray : 327\*239\*9.7, 73g±5%, PET

- BOX : 510\*350\*175



[NFP Motor Marking]

20(21) Trays  
+ 2 Pads  
+ PP-band



No	Material	Size	Q'ty/Lot	How to Pack
1	PET Tray	327x239x9.7	40(42)	<ul style="list-style-type: none"> <li>● 40(42) trays are packed with pad</li> <li>● There are two pads both sides of the tray</li> <li>● The trays are bound with pad and pp band</li> <li>● Vinyl Packing</li> </ul>
2	Box	510x350x175	1	
3	Pad		4	
4	PP-band		-	
4	Packing vinyl		2	



**SAMSUNG ELECTRO-MECHANICS Co.,Ltd.**  
314, Maetan-3Dong, YungTong-Gu, Suwon, Kyunggi-Do, Korea  
<http://www.sem.samsung.co.kr>