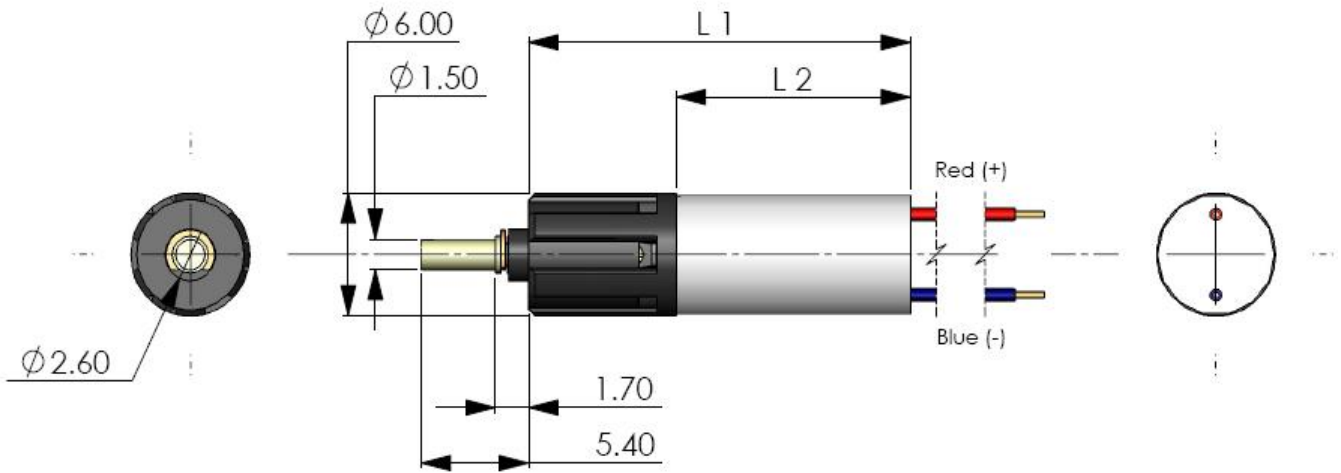


## Precision Gear Motor NFP-GM612 Series



| Model                                  |                                  | GM612-5.14 | GM612-26.45 | GM612-136 | GM612-699 |
|--|----------------------------------|------------|-------------|-----------|-----------|
| Main Mechanical Features               | L1 (Motor Body + Gearbox)        | 17.80mm    | 19.60mm     | 21.40mm   | 23.20mm   |
|  | L2 (Motor Body)                  | 12.0mm     | 12.0mm      | 12.0mm    | 12.0mm    |
|  | Shaft Diameter                   | 1.5mm      | 1.5mm       | 1.5mm     | 1.5mm     |
|  | Total Weight                     | 1.6g       | 1.7g        | 1.8g      | 1.9g      |
| Electrical Performance of Motor Itself | Operating Voltage                | 2.5-5.0V   | 2.5-3.0V    | 2.5-3.0V  | 2.5-5.0V  |
|  | Rated Voltage                    | 3.0V       | 3.0V        | 3.0V      | 3.0V      |
|  | No Load Speed (ref.)             | 28000rpm   | 28000rpm    | 28000rpm  | 28000rpm  |
| Gearbox                                | Layer of gears                   | 1          | 2           | 3         | 4         |
|  | Gear Ratio                       | 5.14       | 26.45       | 136.02    | 699.55    |
| Gear Motor                             | Rated Voltage                    | 3.0V       | 3.0V        | 3.0V      | 3.0V      |
|  | Rated Speed (ref.)               | 5000rpm    | 1000rpm     | 200rpm    | 40rpm     |
|  | Rated Current (ref.)             | 60mA       | 60mA        | 60mA      | 60mA      |
|  | Torque (ref.) at Max. Efficiency | 5gcm       | 25gcm       | 120gcm    | 200gcm    |

Notes: The gearbox is made of plastic material, RoHS compliant.  
The gear ratio can be adjusted as per buyers' requirements.