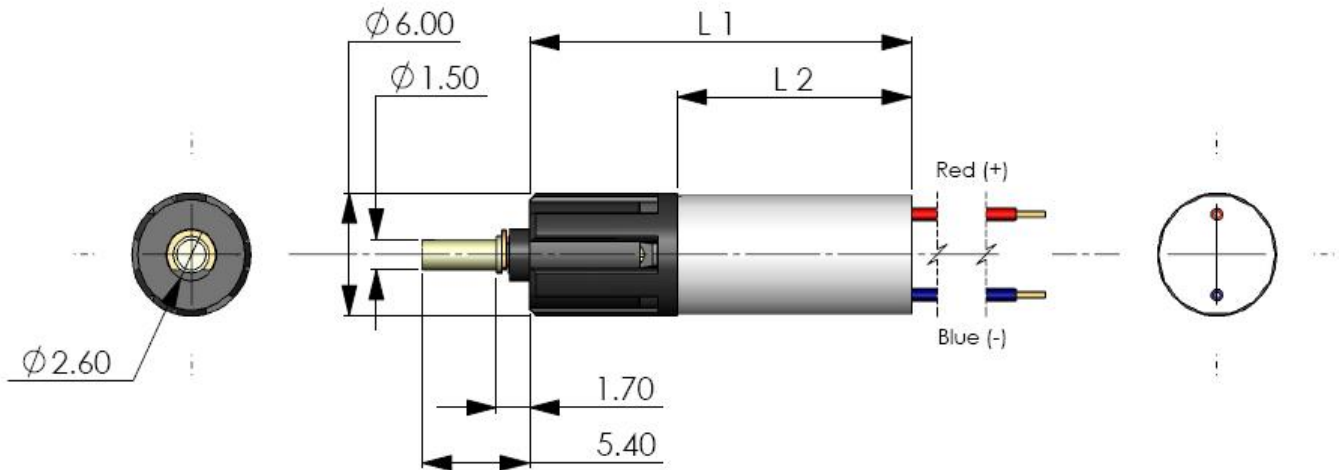


Precision Gear Motor NFP-GM614 Series



Model		GM614-5.14	GM614-26.45	GM614-136	GM614-699
Main Mechanical Features	L1 (Motor Body + Gearbox)	20.10mm	21.90mm	23.70mm	25.5mm
	L2 (Motor Body)	14.3mm	14.3mm	14.3mm	14.3mm
	Shaft Diameter	1.5mm	1.5mm	1.5mm	1.5mm
	Total Weight	1.6g	1.7g	1.8g	1.9g
Electrical Performance of Motor Itself	Operating Voltage	2.5-5.0V	2.5-3.0V	2.5-3.0V	2.5-5.0V
	Rated Voltage	3.0V	3.0V	3.0V	3.0V
	No Load Speed (ref.)	28000rpm	28000rpm	28000rpm	28000rpm
Gearbox	Layer of gears	1	2	3	4
	Gear Ratio	5.14	26.45	136.02	699.55
Gear Motor	Rated Voltage	3.0V	3.0V	3.0V	3.0V
	Rated Speed (ref.)	5000rpm	1000rpm	200rpm	40rpm
	Rated Current (ref.)	60mA	60mA	60mA	60mA
	Torque (ref.) at Max. Efficiency	5gcm	25gcm	120gcm	200gcm

Notes: The gearbox is made of plastic material, RoHS compliant.

The gear ratio can be adjusted as per buyers' requirements.