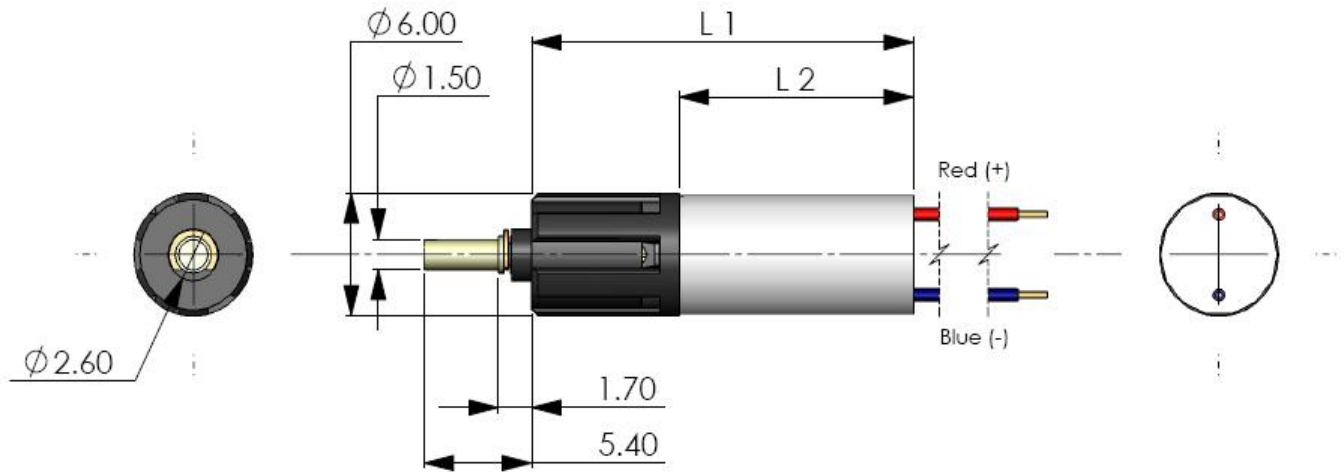


## Precision Gear Motor NFP-GM615 Series



Model		GM615-5.14	GM615-26.45	GM615-136	GM615-699
Main Mechanical Features	L1 (Motor Body + Gearbox)	20.80mm	22.60mm	24.40mm	26.20mm
	L2 (Motor Body)	15.0mm	15.0mm	15.0mm	15.0mm
	Shaft Diameter	1.5mm	1.5mm	1.5mm	1.5mm
	Total Weight	1.6g	1.7g	1.8g	1.9g
Electrical Performance of Motor Itself	Operating Voltage	2.5-5.0V	2.5-3.0V	2.5-3.0V	2.5-5.0V
	Rated Voltage	3.0V	3.0V	3.0V	3.0V
	No Load Speed (ref.)	28000rpm	28000rpm	28000rpm	28000rpm
Gearbox	Layer of gears	1	2	3	4
	Gear Ratio	5.14	26.45	136.02	699.55
Gear Motor	Rated Voltage	3.0V	3.0V	3.0V	3.0V
	Rated Speed (ref.)	5000rpm	1000rpm	200rpm	40rpm
	Rated Current (ref.)	60mA	60mA	60mA	60mA
	Torque (ref.) at Max. Efficiency	5gcm	25gcm	120gcm	200gcm

Notes: The gearbox is made of plastic material, RoHS compliant.

The gear ratio can be adjusted as per buyers' requirements.