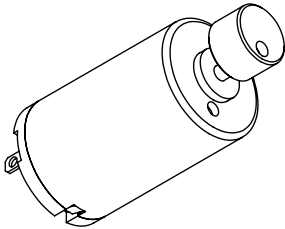


**NFP-324-002**



**Features:**

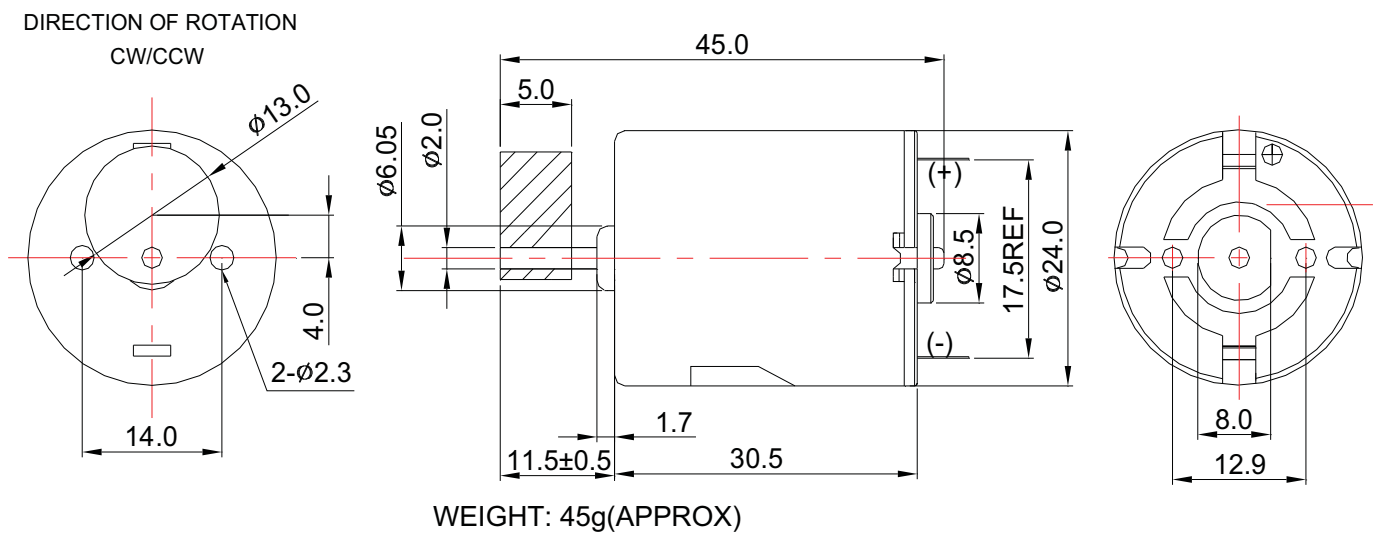
- Copper Eccentric Wheel
- Carbon Brush
- Plastic End Cap
- Carbon Steel Shaft

**Applications:**

- Massager
- Car Power Seat

**Customization:**

- Length A,B
- Technical Data
- Eccentric Wheel
- Varistor for option



**Technical Data:**

MODEL	VOLTAGE		Start Voltage	RATED			STALL CURRENT
	OPERATING RANGE	NOMINAL V		SPEED r/min	CURRENT A	LOAD (Unit:mm)	
	NFP-324-002	6.0-12.0	12	2	5000	0.07	R6.5*5.0

Unit Conversion: 1g.cm  $\approx$  0.098mN.m  $\approx$  0.014oz.in 1mm=0.039in 1g=0.035oz