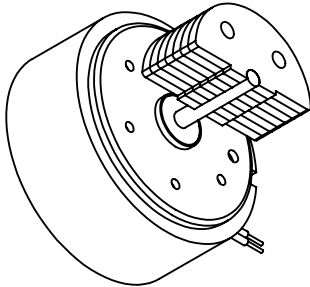


NFP-345-001



Features:

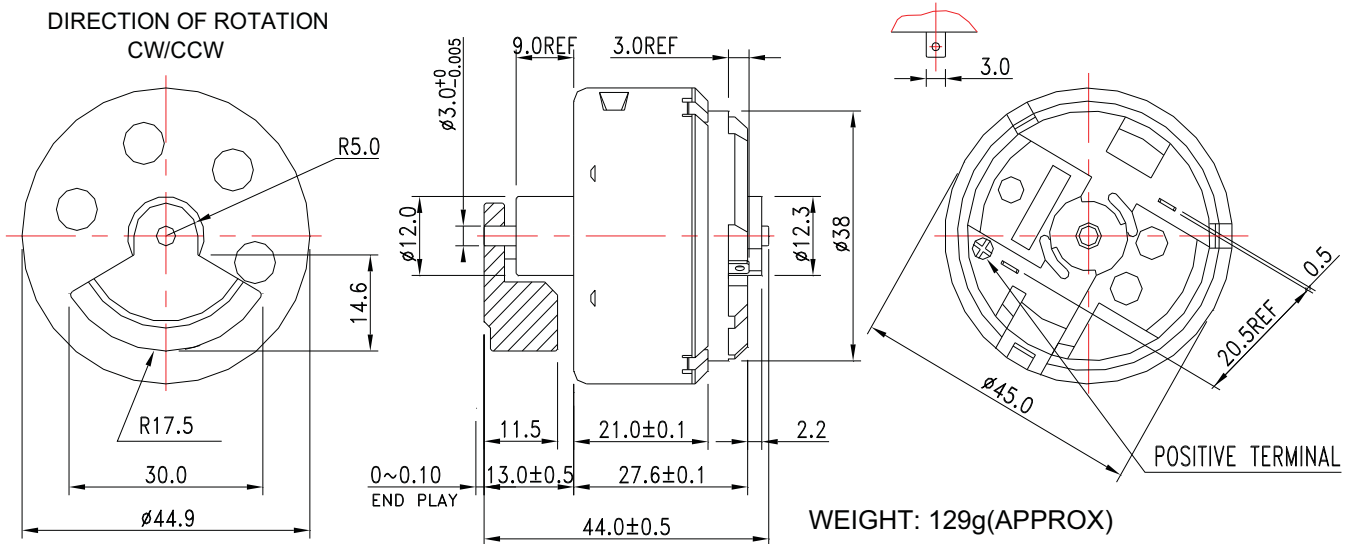
- Iron-base powder metallurgy eccentric wheel
- Carbon brush
- Plastic end cap
- Ball bearing on the end cap side

Applications:

- Massager
- Flour sifter
- Massage armchair

Customization:

- Length A,B
- Technical data
- Eccentric wheel
- Varistor for option



Technical Data:

MODEL	VOLTAGE		Start Voltage	RATED			STALL CURRENT
	OPERATING RANGE	NOMINAL V		SPEED r/min	CURRENT A	LOAD (Unit:mm)	
	NFP-345-001-A	6.0-12.0	12	2	1900	0.65	R17.5*11.5
NFP-345-001-B	6.0-24.0	24	2	4300	0.1	R17.5*11.5	1.5

Unit Conversion: 1g.cm ≈ 0.098mN.m ≈ 0.014oz.in 1mm=0.039in 1g=0.035oz